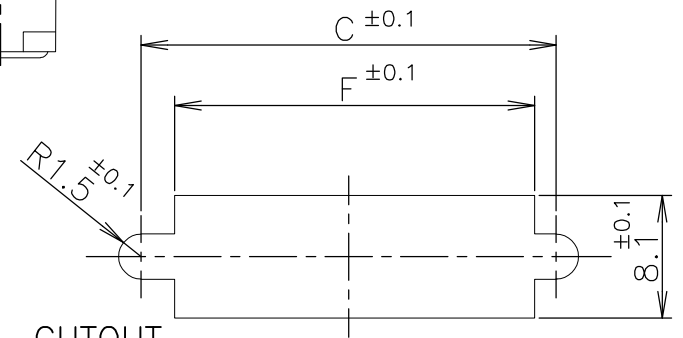
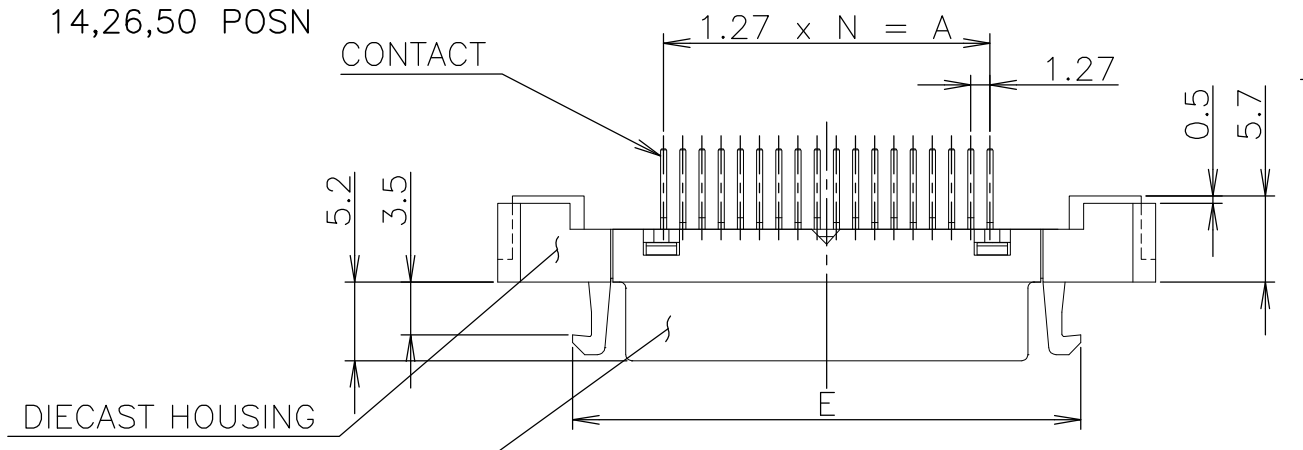
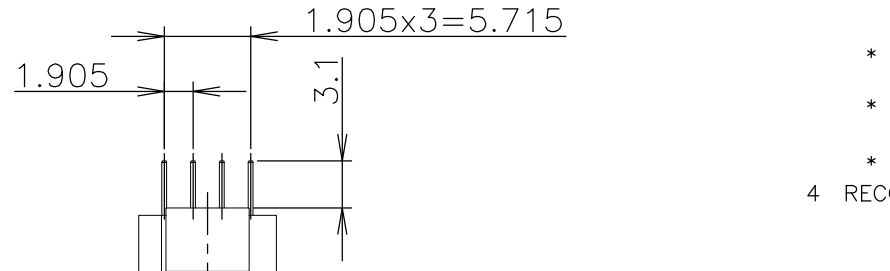
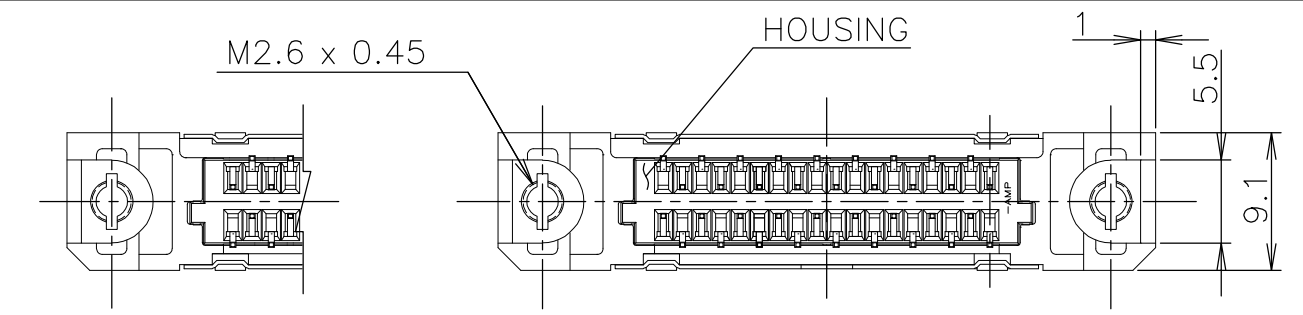


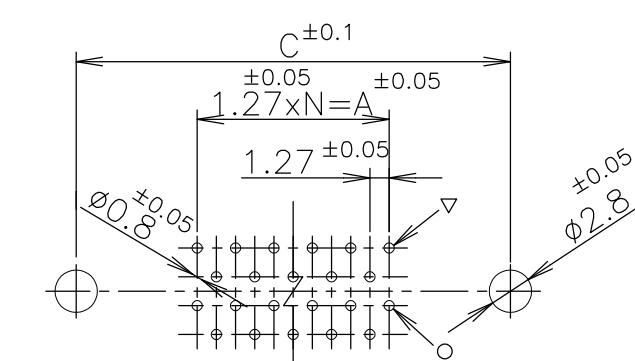
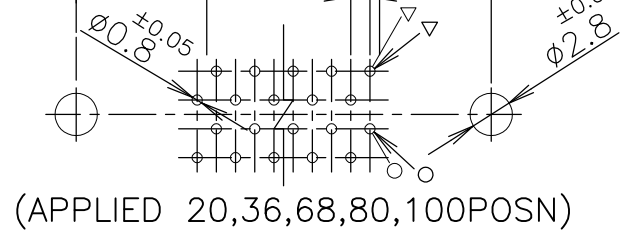
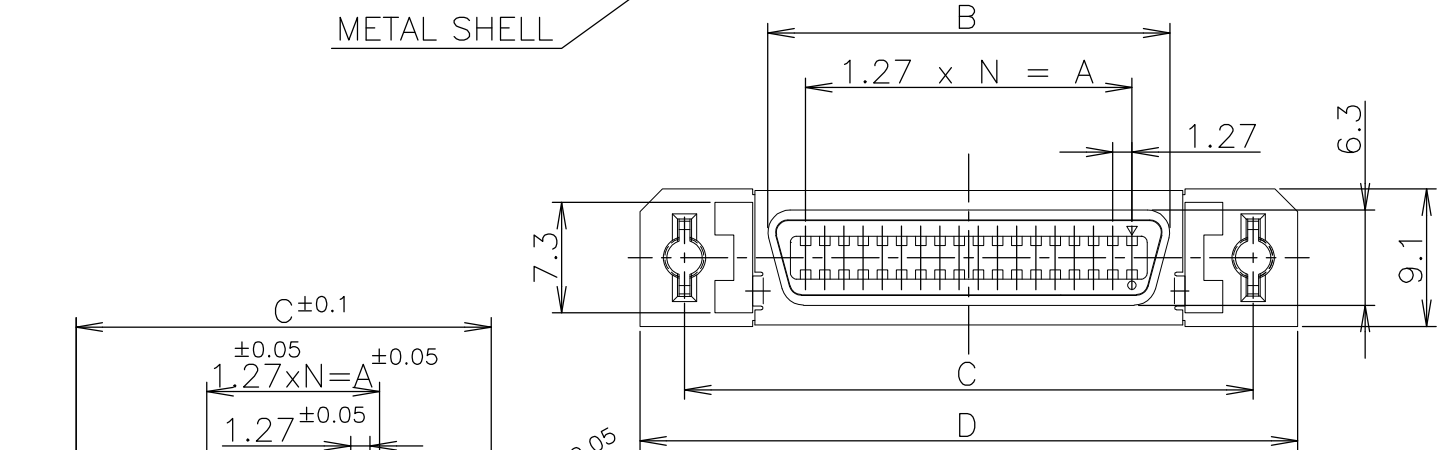
THIS DRAWING IS UNPUBLISHED. RELEASED FOR PUBLICATION SEP ,2004.  
 © COPYRIGHT 2004 By - ALL RIGHTS RESERVED.

| LOC | DIST | REVISIONS                 |         |     |      |
|-----|------|---------------------------|---------|-----|------|
| P   | LTR  | DESCRIPTION               | DATE    | DWN | APVD |
| J   |      |                           |         |     |      |
| P   | P    | REVISED PER ECO-11-005033 | 26MAR11 | RK  | HMR  |

- 1 USED SCREW SIZE; M2.6 PANHEAD SCREW.
- 2 CONNECTOR TO BE MATED; 175677,517571
- △ MATERIAL AND FINISH;
  - \* CONTACT; PHOS-BRONZE  
FINISH: Au PLATING OVER Ni UNDER PLATING ON CONTACT AREA.  
TIN PLATING OVER Ni UNDER PLATING ON SOLDER TINE AREA.
  - \* METAL SHELL: STEEL  
FINISH: Ni PLATING OVER COPPER UNDER PLATING.
  - \* DIECAST HOUSING; ZINC  
FINISH: Ni PLATING OVER COPPER UNDER PLATING.
  - \* HOUSING; THERMOPLASTIC, UL94V-0, BLACK
- 4 RECOMMEND P.W.B THICKNESS; 1.6mm



PANEL CUTOUT (THK; 2mm MAX.) FIG-2



RECOMMEND P.W.B HOLE LAYOUT (CONNECTOR MOUNTING SIDE) FIG-1

LEAD FREE

| AU PLATING | N  | F     | E     | D     | C     | B     | A     | POSN | PART NO.    |
|------------|----|-------|-------|-------|-------|-------|-------|------|-------------|
| 0.00076    | 39 | 61.90 | 61.55 | 71.45 | 65.55 | 54.53 | 49.53 | 80   | 3-5175887-0 |
|            | 49 | 74.60 | 74.25 | 84.15 | 78.25 | 67.23 | 62.23 | 100  | 2-5175887-9 |
|            | 33 | 54.20 | 53.93 | 63.83 | 57.93 | 46.91 | 41.91 | 68   | 2-5175887-8 |
|            | 24 | 42.80 | 42.50 | 52.40 | 46.50 | 35.48 | 30.48 | 50   | 2-5175887-7 |
|            | 17 | 33.90 | 33.61 | 43.51 | 37.61 | 26.59 | 21.59 | 36   | 2-5175887-5 |
|            | 12 | 27.60 | 27.26 | 37.16 | 31.26 | 20.24 | 15.24 | 26   | 2-5175887-4 |
| 0.0003     | 9  | 23.80 | 23.45 | 33.35 | 27.45 | 16.43 | 11.43 | 20   | 2-5175887-2 |
|            | 6  | 19.90 | 19.64 | 29.54 | 23.64 | 12.62 | 7.62  | 14   | 2-5175887-1 |
|            | 39 | 61.90 | 61.55 | 71.45 | 65.55 | 54.53 | 49.53 | 80   | 1-5175887-0 |
|            | 49 | 74.60 | 74.25 | 84.15 | 78.25 | 67.23 | 62.23 | 100  | 5175887-9   |
|            | 33 | 54.20 | 53.93 | 63.83 | 57.93 | 46.91 | 41.91 | 68   | 5175887-8   |
|            | 24 | 42.80 | 42.50 | 52.40 | 46.50 | 35.48 | 30.48 | 50   | 5175887-7   |

THIS DRAWING IS A CONTROLLED DOCUMENT.

|                     |  |                        |  |
|---------------------|--|------------------------|--|
| DIMENSIONS: mm      | TOLERANCES UNLESS OTHERWISE SPECIFIED: | DWN COREL WANG 01SEP04 | TE Connectivity<br>REC HEADER ASSY, VERTICAL<br>CHAMP .050 SERIES (II) STD-TYPE (M2.6) |
|                     | 0 PLC ± 0.2                            | CHK STEVEN YAO 01SEP04 |  |
|                     | 1 PLC ± 0.2                            | APVD I.ENOMOTO 01SEP04 |  |
|                     | 2 PLC ± 0.2                            | NAME                   |  |
|                     | 3 PLC ± 0.2                            | PRODUCT SPEC           | 108-60043  |
|                     | 4 PLC ± 0.2                            | APPLICATION SPEC       |  |
|                     | ANGLES ± 3°                            | WEIGHT                 | SIZE A3 CAGE CODE 00779 DRAWING NO C-5175887 RESTRICTED TO                             |
| MATERIAL SEE NOTE 3 | FINISH SEE NOTE 3                      | CUSTOMER DRAWING       | SCALE 2:1 SHEET 1 OF 1 REV P   |